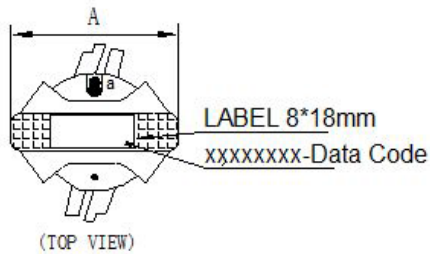
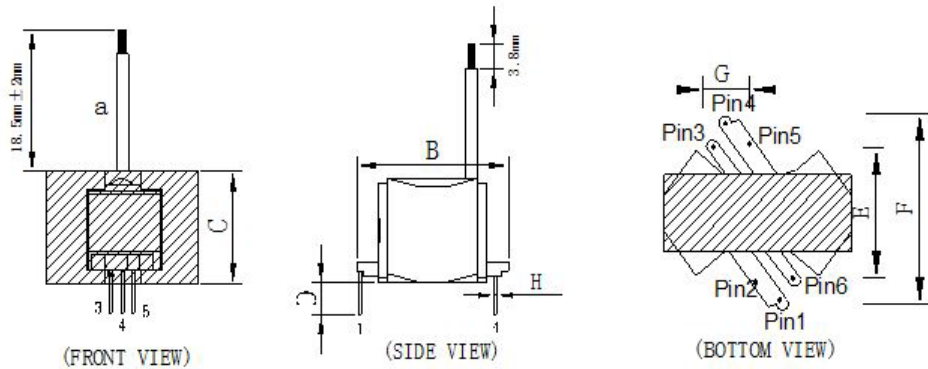


CUSTOMER TERMINAL	ROHS	Lead(Pb)-free
	YES	YES



1.Mechanical Dimensions

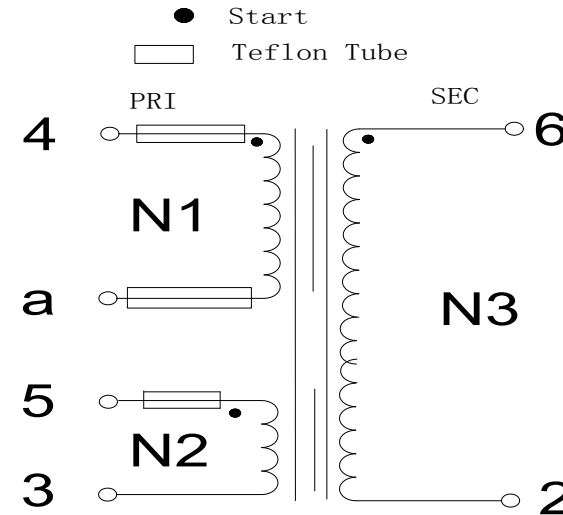


A	16.0	MAX
B	15.0	MAX
C	11.0	MAX
D	3.8	±0.5
E	10.8	±0.5
F	14.4	±0.5
G	3.6	±0.5
H	0.5	±0.1

3.Material List

Core:FW44 RM5
 Bobbin:FWB0501(3+3PIN)
 Wire:2UEW
 Copper foil:0.025t*5.0mm
 Operating Temperature: -30 to115 °C

2.Schematic Diagram



4.Electrical Specification

Inductance : L(4-a):5mH ±5% 100KHZ , 1.0V
 Leakage inductance : 100uHMAX 100KHZ , 1.0V
 DCR : (4-A)=2.0Ω MAX
 Hi-Pot:P-S: AC 60Hz 1000V 1mA 3S
 S-CORE: AC 60Hz 1000V 1mA 3S

REV.	DATE	DRW.	Drawing Title:	Part No:
0	00/00			
		CHK.	TRANSFORMER	FWPTRM5V502J
ROHS	www.fosopower.com	APP.	Customer P/N	Specification Sheet 1of 1